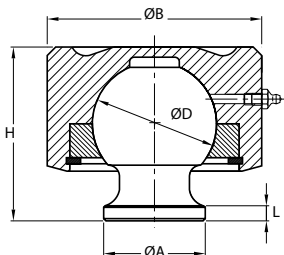


**BO...**



SWINGING END

ARTICLE	ØD	ØA	ØB	H	L	WEIGHT Kg.
BO 1803	50	40	85	82	20	2.20
BO 1804	60	50	98	100	25	3.40
BO 1805	70	60	105	115	30	4.82

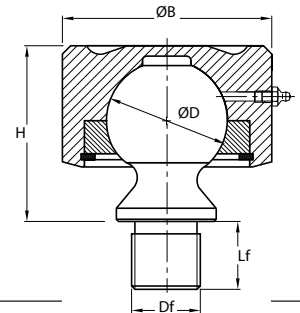


TYPE A

**BO...**

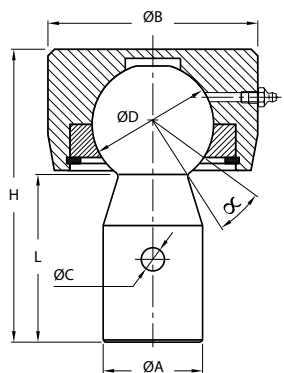


SWINGING END



TYPE B

ARTICLE	ØD	ØA	ØB	H	L	Df	Lf	TYPE	WEIGHT Kg.
BO 1980	45	30	110	60	8	-	-	A	2.20
BO 1982	55	45	95	76	8	-	-	A	2.88
BO 1984	65	64	107	88	9	-	-	A	3.96
BO 1986	45	30	110	65	-	M22X1.5	26	B	2.42
BO 1988	55	45	95	77	-	M32X2	31	B	3.10



**BO...**



SWINGING END

ARTICLE	ØD	ØA	ØB	ØC	H	L	α	WEIGHT Kg.
BO 1700	45	36	88	-	106	61	25	2.10
BO 1701	45	36	88	8.4	106	58.5	-	2.40
BO 1702	55	36	92	8.4	118.5	62	-	3.10