



Oilless Diaphragm Unit to 1.9 cfm

DOA/DOL Series

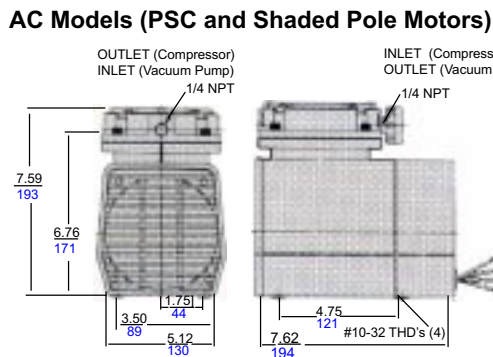


AC Model

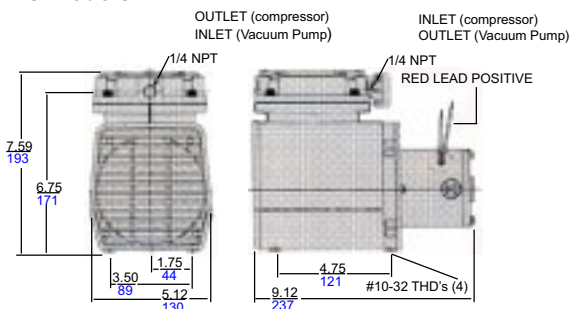


DC Model

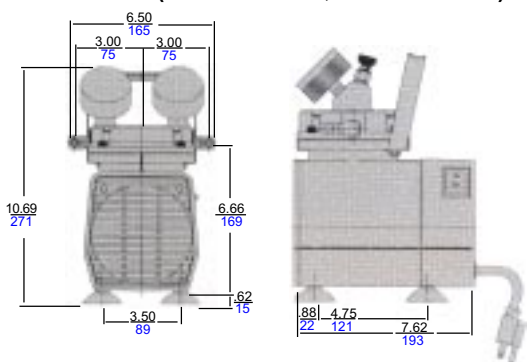
Product Dimensions (mm) (Inches)



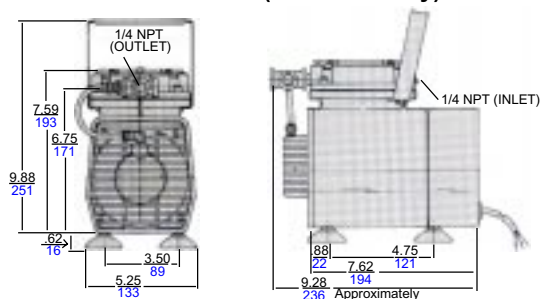
DC Models



Lab Models (DOA-P104-AA, DOA-P104-BN)



Unloader Valve Model (Pressure Only)



Performance at 60 Hz unless otherwise noted

| MOTOR/SERIES | MAXIMUM PRESSURE (PSI) | MAXIMUM VACUUM (IN. HG) | MAXIMUM OPEN FLOW (CFM) |
|----------------------------|------------------------|-------------------------|-------------------------|
| Shaded Pole / PSC 4 Pole | 60 | 25.5 | 1.1 |
| PSC 2 Pole | 60 | 25.5 | 1.9 |
| Low Speed DC (Brush Type) | 60 | 25.5 | 1.3 |
| High Speed DC (Brush Type) | 60 | 25.5 | 1.9 |

PRODUCT FEATURES

- Oilless Operation
- Motor Mounted
- Rugged construction / low maintenance

INCLUDES

- Muffler AH190A for vacuum
- Capacitor AF873A ('DB' and 'DD' motor), AF485 ('FB' motor), AF876 ('FD' motor), Reference Product Specifications table for models with attached capacitors.

Lab Models

- Gauges - Vacuum AE136, Pressure AA806
- Hose barb - AG613
- Regulators - Vacuum AA550C-V, Pressure AF887
- Carrying handle - AF870
- Rubber feet - AF584A

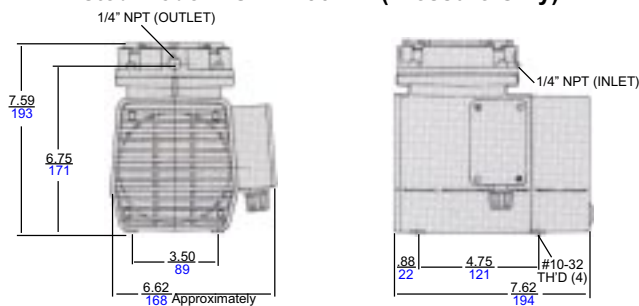
DOL Series

- Cord and hospital grade plug
- Carrying handle - AF870
- Mounted on/off switch
- Rubber feet - AF584A

RECOMMENDED ACCESSORIES

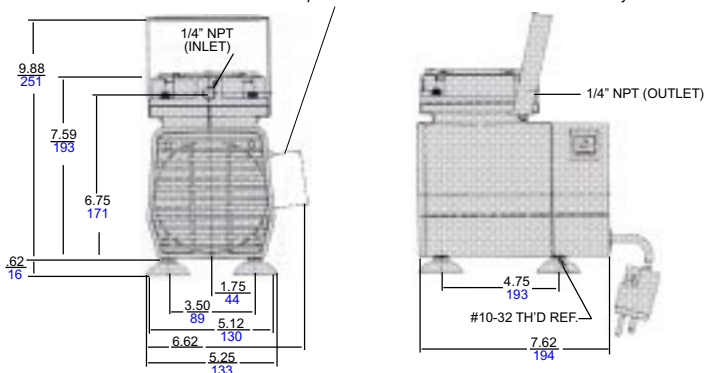
- Pressure gauge AF583 / Vacuum gauge AA640 (except lab models)
- Pressure relief valve AF887 / Vacuum relief valve AA550C-V (except lab models)
- (4) Rubber feet AF584A (except lab models, unloader models, DOL Series)
- Repair Kit K294A
- Repair Kit K294K (lab models only)

VDE Listed Model DOA-P156-BN (Pressure Only)



DOL Series (For Medical/Dental Applications)

Attached Capacitor in Mini-Box on PSC Motor Model Only



DOA/DOL Series

Product Specifications

Note: "P" models are pressure, "V" models are vacuum; P104 (lab models) are set up for vacuum or pressure

| Model Number | Motor | Motor Type | RPM | | HP | kW | Net Wt. | |
|----------------|-----------------|--------------|----------|----------|-----|------|---------|-----|
| | | | 60 cycle | 50 cycle | | | lbs. | kg |
| *DOA-P101-AA | 115-60-1 | Shaded Pole | 1575 | - | 1/8 | 0,09 | 14.5 | 6,6 |
| DOA-P104-AA | 115-60-1 | Shaded Pole | 1575 | - | 1/8 | 0,09 | 16.0 | 7,3 |
| DOA-P104-BN | 220/240-50-1 | Shaded Pole | - | 1275 | 1/8 | 0,09 | 16.0 | 7,3 |
| **DOA-P115-AA | 115-60-1 | Shaded Pole | 1575 | - | 1/8 | 0,09 | 16 | 6,6 |
| *DOA-P101-AC | 230-60-1 | Shaded Pole | 1575 | - | 1/8 | 0,09 | 14.5 | 6,6 |
| ***DOA-P101-AE | 110-50-1 | Shaded Pole | - | 1275 | 1/8 | 0,09 | 14.5 | 6,6 |
| ***DOA-P101-BN | 220/240-50-1 | Shaded Pole | - | 1275 | 1/8 | 0,09 | 14.5 | 6,6 |
| ††DOA-P151-BN | 220/240-50-1 | Shaded Pole | - | 1275 | 1/8 | 0,09 | 16 | 7,3 |
| †††DOA-P156-BN | 220/240-50-1 | Shaded Pole | - | 1275 | 1/8 | 0,09 | 14.5 | 6,6 |
| ***DOA-P101-BL | 110-50/60-1 | Shaded Pole | 1575 | 1275 | 1/8 | 0,09 | 14.5 | 6,6 |
| DOA-P108-DB | 115/110-60/50-1 | PSC (4 Pole) | 1575 | 1275 | 1/8 | 0,09 | 14.5 | 6,6 |
| DOA-P108-DD | 230/220-60/50-1 | PSC (4 Pole) | 1575 | 1275 | 1/8 | 0,09 | 14.5 | 6,6 |
| ◆DOA-P110-DD | 230/220-60/50-1 | PSC (4 Pole) | 1575 | 1275 | 1/8 | 0,09 | 14.5 | 6,6 |
| DOA-P101-FB | 115/110-60/50-1 | PSC (2 Pole) | 3000 | 2500 | 1/3 | 0,25 | 14.5 | 6,6 |
| ◆◆◆DOA-P109-FB | 115/110-60/50-1 | PSC (2 Pole) | 3000 | 2500 | 1/3 | 0,25 | 14.5 | 6,6 |
| DOA-P108-FD | 220/230-50/60-1 | PSC (2 Pole) | 3000 | 2500 | 1/3 | 0,25 | 14.5 | 6,6 |
| ◆◆DOA-P109-FD | 220/230-50/60-1 | PSC (2 Pole) | 3000 | 2500 | 1/3 | 0,25 | 14.5 | 6,6 |
| DOA-P101-JH | 12Volt | DC | 2100 | | 1/8 | 0,09 | 13.0 | 5,9 |
| DOA-P101-KH | 12Volt | DC | 3200 | | 1/6 | 0,12 | 13.0 | 5,9 |
| DOA-P101-JK | 24 Volt | DC | 2100 | | 1/8 | 0,09 | 13.0 | 5,9 |
| *DOA-V191-AA | 115-60-1 | Shaded Pole | 1575 | - | 1/8 | 0,09 | 14.5 | 6,6 |
| *DOA-V113-AC | 230-60-1 | Shaded Pole | 1575 | - | 1/8 | 0,09 | 14.5 | 6,6 |
| ***DOA-V111-AE | 110-50-1 | Shaded Pole | - | 1275 | 1/8 | 0,09 | 14.5 | 6,6 |
| ***DOA-V112-BN | 220/240-50-1 | Shaded Pole | - | 1275 | 1/8 | 0,09 | 14.5 | 6,6 |
| DOA-V113-DB | 115/110-60/50-1 | PSC (4 Pole) | 1575 | 1275 | 1/8 | 0,09 | 14.5 | 6,6 |
| DOA-V119-DD | 230/220-60/50-1 | PSC (4 Pole) | 1575 | 1275 | 1/8 | 0,09 | 14.5 | 6,6 |
| DOA-V112-FB | 110/115-50/60-1 | PSC (2 Pole) | 3000 | 2500 | 1/3 | 0,25 | 14.5 | 6,6 |
| DOA-V114-FD | 220/230-50/60-1 | PSC (2 Pole) | 3000 | 2500 | 1/3 | 0,25 | 14.5 | 6,6 |
| DOA-V111-JH | 12Volt | DC | 2100 | | 1/8 | 0,09 | 13.0 | 5,9 |
| DOA-V111-KH | 12Volt | DC. | 3200 | | 1/6 | 0,12 | 13.0 | 5,9 |
| DOA-V111-JK | 24 Volt | DC | 2100 | | 1/8 | 0,09 | 13.0 | 5,9 |
| ◆◆◆◆DOL-101-AA | 115-60-1 | Shaded Pole | 1575 | - | 1/8 | 0,09 | 14.8 | 6,7 |
| ◆◆◆◆DOL-101-DB | 115/110-60/50-1 | PSC (4 Pole) | 1575 | 1275 | 1/8 | 0,09 | 14.8 | 6,7 |

*Includes cord and plug.

**Unloader model, includes cord and plug (no rubber feet or handle)

***Includes cord but no plug.

††Unloader model, with cord (no plug), intake filter, pressure regulator, handle, rubber feet

†††VDE listed model

◆Capacitor mounted in minibox (add 1.54 (39,1) to width), pigtail wires (European color-coded), no plug.

◆◆Capacitor mounted in mini-box (add 1.54" (39,1) to width), two meter cord (European color-coded), no plug.

◆◆◆Capacitor mounted in minibox (add 1.54" (39,1) to width), cord and plug.

◆◆◆◆Medical/dental units - mounted switch, rubber feet, handle, cord and hospital grade plug

Product Performance (Metric, U.S.)

